



WARNING BEFORE OPERATION ON THE FIXTURE:

Read these instructions and make sure that the lamp is not connected to a power source. SEED LIGHTING DESIGN CO., LTD. (SEEDDESIGN) guarantees the fixture only if you follow appropriately these instructions, which must be well kept for future cares.

- This warranty does not cover damage resulted from misuse or abuse, lack of reasonable care, loss of parts or subjecting the fixture to any electrical service other than specified for proper use.
- The fixture MUST NOT be modified in any way. Any modification may turn the fixture into dangerous. SEEDDESIGN declines all responsibility for modified products.
- Replacing bulbs must be of the same type, voltage and wattage as specified in these instructions.
- If the fixture does not work: (1) turn off power supply and check all wire connections; (2) check fuse or circuit breaker and have a qualified electrician replace if necessary; (3) ensure light bulb is in working order.
- It is important to note that some pieces vary in shape and color from one to another, as they are mouth-blown glass. Those differences are not imperfection; rather they guarantee that the glass is handcrafted.

CLEAN AND MAINTENANCE

- Ensure the power supply has been turned off before cleaning products.
- Clean with a soft damp cloth and mild detergent if necessary.
- Never use any alcoholic solvent or abrasive detergent to clean the fixture.
- Wipe with dry clothes may harm the lampshade.
- Frequent maintenance keeps products neat.

LIMITED WARRANTY

- SEED LIGHTING DESIGN CO., LTD. warrants against defects in materials or workmanship for a period of two years from date of purchase for use, and agrees to repair or at our option replace a defective unit without charge.
- SEEDDESIGN reserves the right to introduce all changes required for the improvement of the present product at any time and without prior notice.



安裝注意事項及保固內容

- 安裝或組裝產品前，請詳細閱讀本說明書並確保電源已關閉，以免危險。
- 任何（但不限於）對產品之不當使用、濫用、因天災或人為因素造成之損壞、未經喜得同意之維修、拆裝或修改等，不在喜得燈飾設計股份有限公司（以下簡稱「喜得」）提供之保固範圍內。
- 更換燈泡時，請務必遵照本說明書上所示之燈泡規格、電壓及瓦特數限制。
- 燈具不正常運作或不亮時：(1) 請檢查燈泡是否正常運作；(2) 請關掉電源並檢查所有電線是否正確連接；(3) 檢查保險絲或無熔絲開關是否正常，必要時，請合格電工（或洽本公司）進行更換。
- 喜得所提供的產品，因多由手工技藝所產製，個體之間偶有些微形狀與顏色上的差異但並非瑕疵，例如手工口吹玻璃。

喜得提供產品材料及工藝上之兩年保固（自購買日起），並承諾保固期內視產品情況，提供免費維修或更換瑕疵產品（燈泡等耗材類配件除外）。

保養清潔方式

- 請用軟布稍微擦拭產品上附著的灰塵。若有明顯髒污，請將乾淨軟布浸濕並加入少許中性清潔劑，在溫柔擦拭髒污後，再以柔軟乾布輕輕擰乾。切勿使用酒精揮發溶劑或含有研磨顆粒的清潔劑擦拭烤漆產品。

喜得燈飾設計股份有限公司保留為產品進行任何變更且無需提前通知之權利。



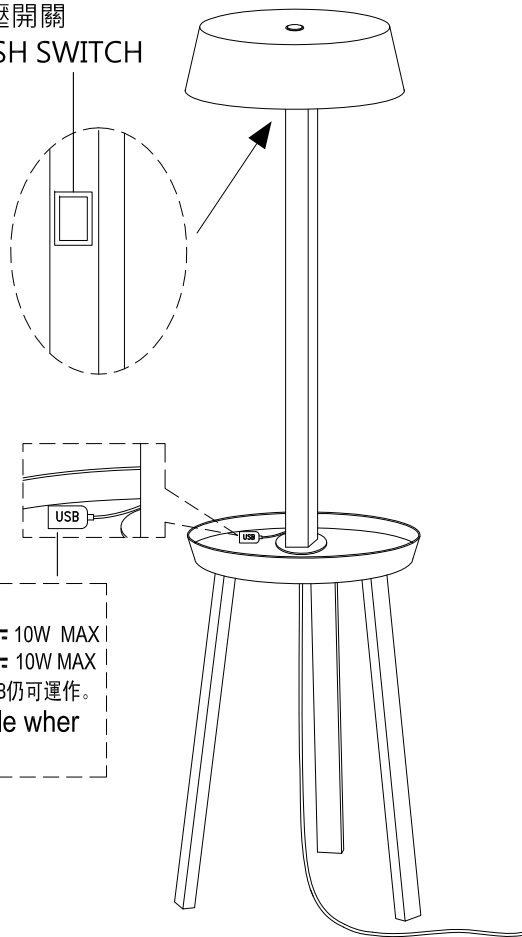
ASSEMBLY INSTRUCTIONS | CARRY

T. 206.762.2828
info@SeedDesignUSA.com
www.SeedDesignUSA.com

安裝說明書 USER'S INSTRUCTION

當你按照下列方式操作時,先確定電源是否處於關閉狀態。
Please ensure the power is off when you perform the following operation

按壓開關
PUSH SWITCH



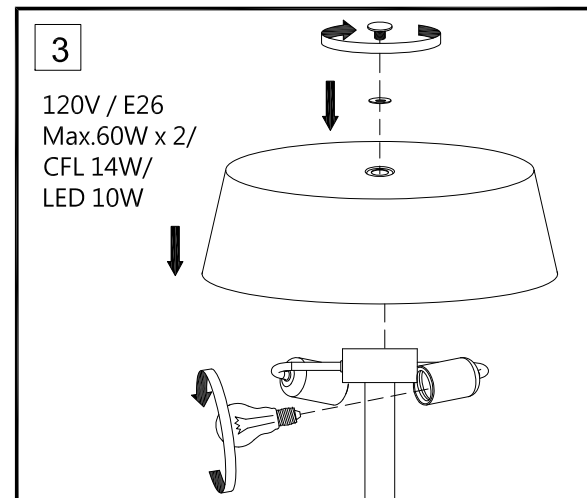
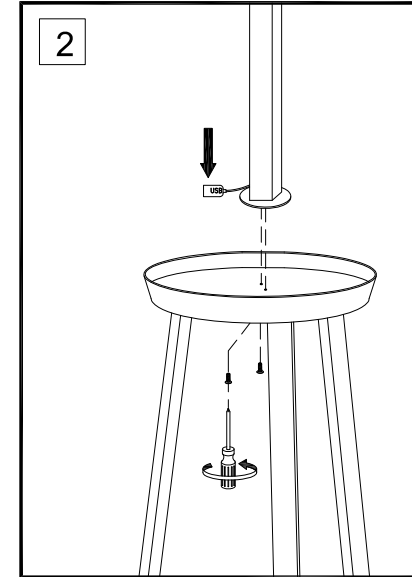
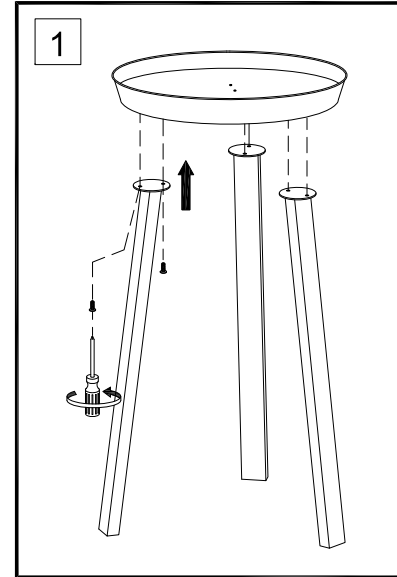
USB輸出/USB outlet
輸出: 5Vdc 恒流 2.1A \equiv 10W MAX
Output: 5Vdc Constant 2.1A \equiv 10W MAX
插上電源后, 即使關燈狀態, USB仍可運作。
USB function is available wher power on but light off.

CARRY

機種名稱/Model: SQ-6350MFU

燈泡/Bulb: E26 2 x Max. 60W

輸入電壓/Input voltage: 120V~ 60Hz



3

120V / E26
Max.60W x 2/
CFL 14W/
LED 10W



x8



x8